



Non binding image

Range	Wine by the glass dispenser
Function	To bring to serving temperature (2-temp) To preserve opened bottles
Capacity <sup>(1)</sup>	8 bottles in service / 6 to 8 bottles in storage

### GENERAL FEATURES

- **Packaged dimensions : 1140 x 1200 x 670 mm (H= 910 mm + accessories box 230 mm = 1140 mm)** • Can be flush-fitted - see requirements
- **Dimensions including drip tray (HxWxD) 735 x 1035 x 585 mm <sup>(2)</sup> - Adjustable feet**
- **Net weight : 97 kg Gross weight : 117 kg** • Made in France

### FUNCTIONAL FEATURES

- **2 independent compartments** with adjustable temperatures: 6-15°C (43-59°F) on the left / 9-18°C (48-64°F) on the right
- 8 opened bottles (of which 4 Magnums possible <sup>(3)</sup>) + 6 to 8 bottles in storage<sup>(4)</sup>
- **Preservation of opened bottles** up to 3 weeks
- **3 configurable doses** per tap
- An interface for each use
  - A unique touch-screen for configuration & analysis
  - Rugged push buttons for the service
- Safety lock
- Possibility to connect with a cash-register

### TECHNICAL FEATURES

- Production of cold air Ventilated cold air - Compressor
- Cooling agent R134a
- Warm air production technology Heater
- Cords (external power) CE/UK/CH/AU/US
- Type of internal walls ABS
- Type of exterior coating Steel
- Type of insulation Expanded polystyrene
- Tap material PMMA
- Door material Full Glass - Triple glazing
- Preservation system Nitrogen injection

### DESIGN

- Lighting : multicolored LEDs for each compartment and for the taps → > 200 shades
- Glass holder per compartment: adjustable & adapted to different sizes or kinds of glass. Holds up to 8 glasses
- Color of external panel : black , other colors available



### MORE & MORE SIMPLICITY...

- A unique touch screen : secure access for manager, integrated tutorials, wine sales statistics...
- Alert message: nitrogen leak, empty bottle, cleaning reminder...
- Cleaning system for all 8 taps simultaneously
- Automatic condensate evaporation
- *Option* : Self service with card

### ENERGY CONSUMPTION & PERFORMANCE

- Ambient temperature operating limits 10-35°C (50-95°F)
- Consumption per 24h <sup>(5)</sup> (KWh) 1.621
- Electrical Power consumption<sup>(5)</sup> (W) 230

### WARRANTY

2 years

Certifications

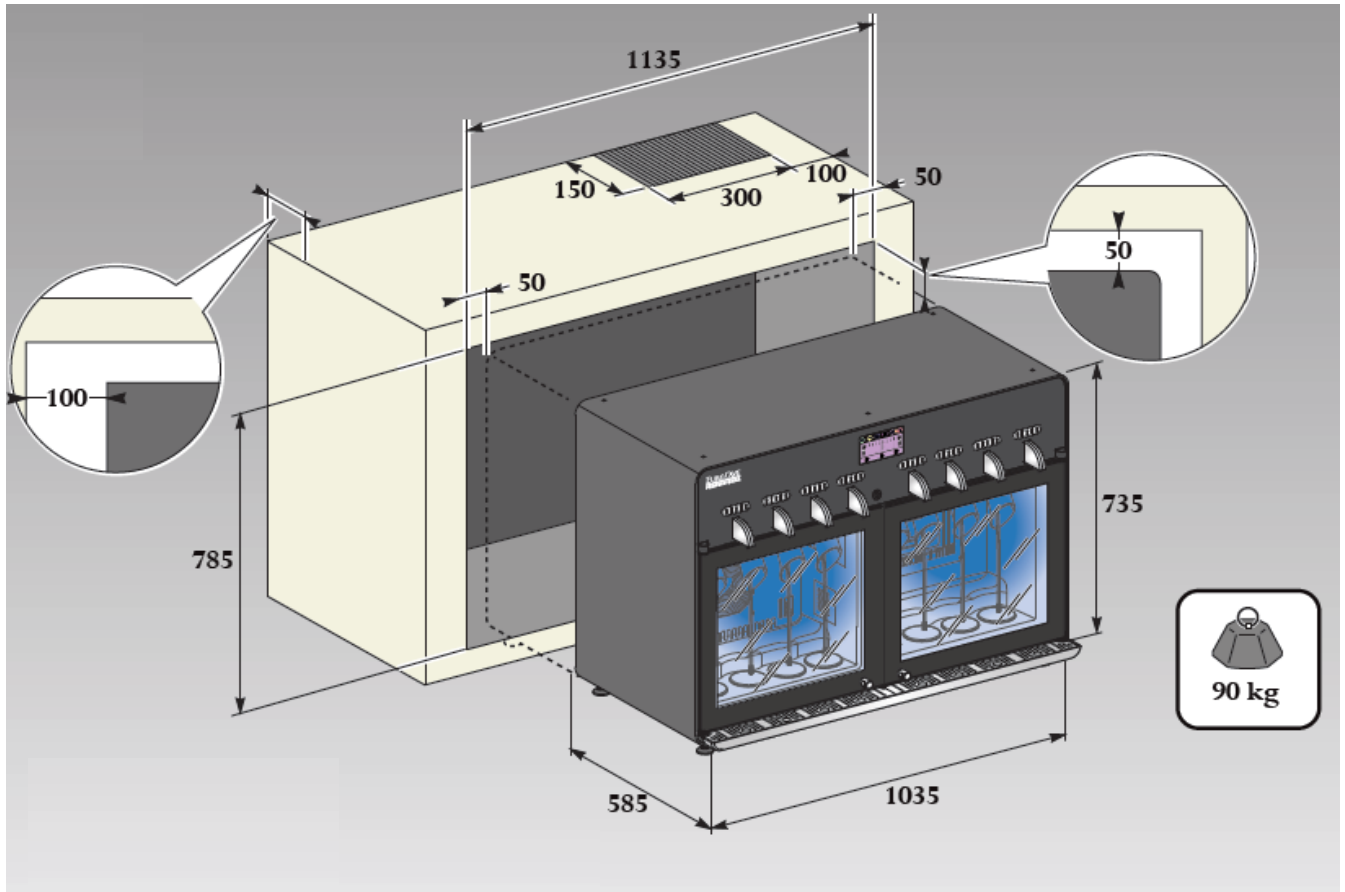


### OTHER INFORMATIONS



<http://eurocavepro.com/>

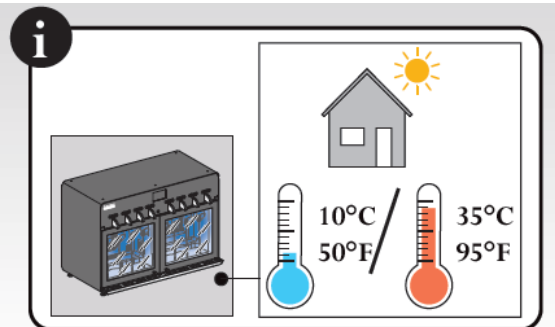
**FLUSH-FITTING REQUIREMENTS**



**H x W x D = 735 x 1035 x 585 mm**

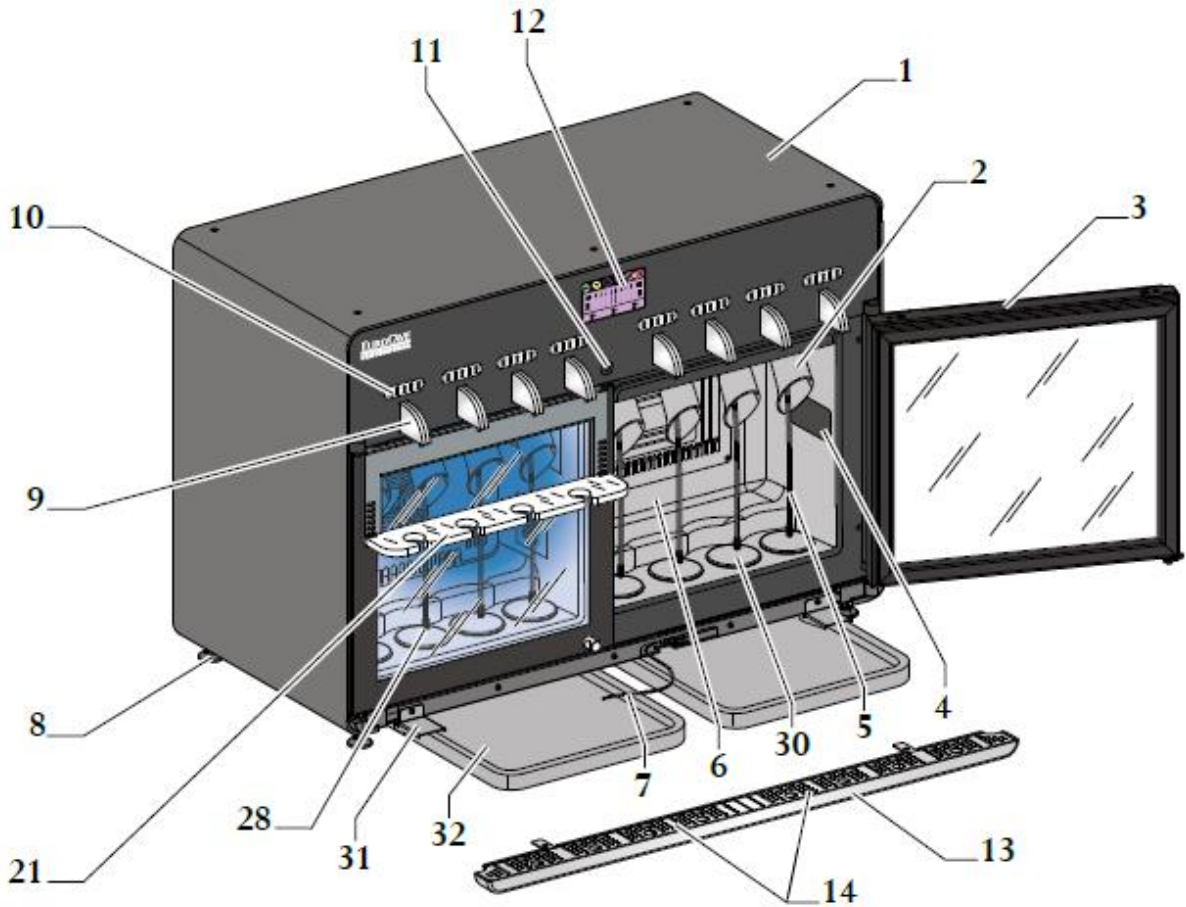
Dimensions include the rear stop - feet adjusted to the lowest

- Maintain 5 cm on each side of the product and above the product
- Plan a ventilation hole on the top of the product  
The ventilation hole must be
  - ✓ On the top of the device
  - ✓ To the rear edge of the product
  - ✓ At 100 mm from the side edge



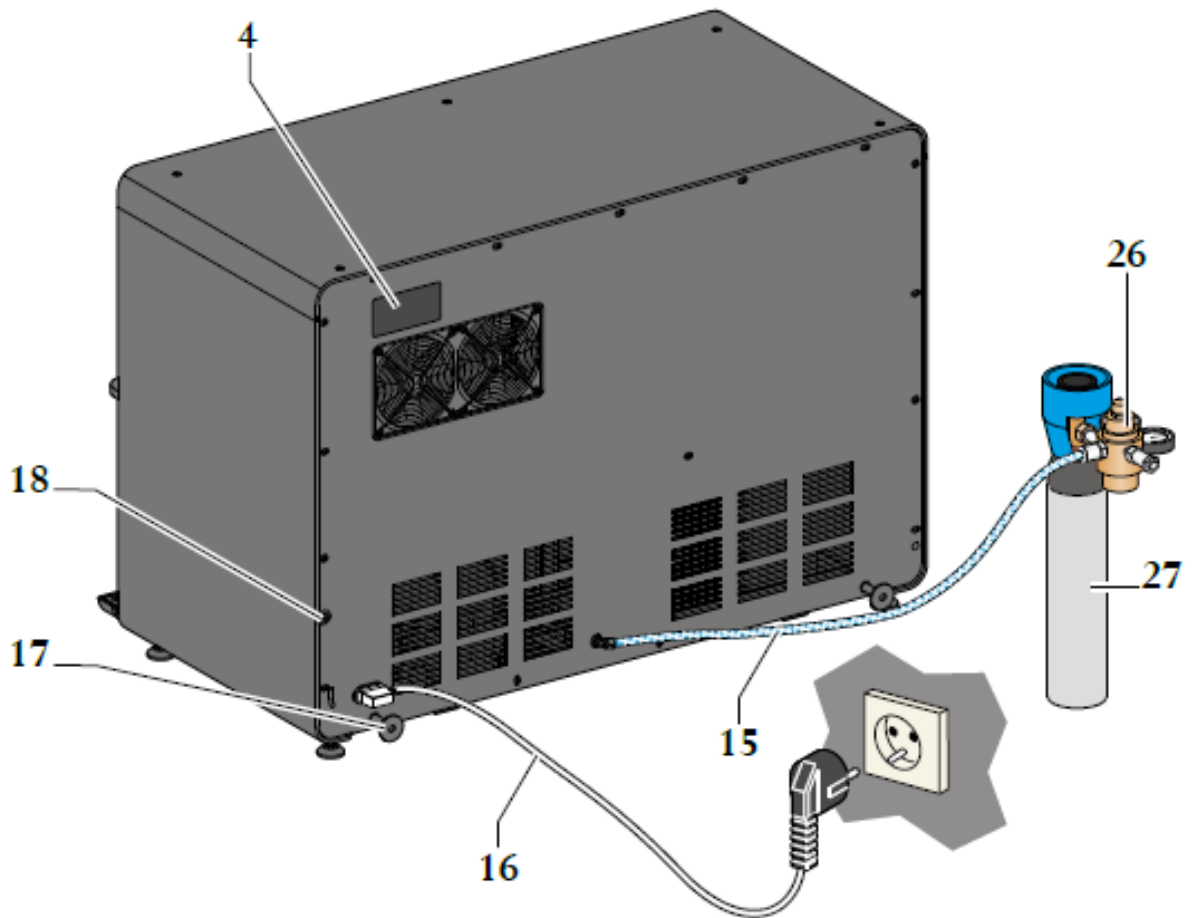
**Plan a hole for the nitrogen cylinder connection tube**

**PRODUCT DESCRIPTION**



- |   |  |
|---|--|
| 1. External casing                                    | 11. Central door lock                  |
| 2. 8 articulated heads with bottle sockets            | 12. Touch screen                       |
| 3. 2 full glass doors                                 | 13. Drip pan                           |
| 4. 2 product identification labels with serial number | 14. 2 grids of the drip pan            |
| 5. 8 plunge tubes                                     | 21. 2 glass holders                    |
| 6. 2 service temperature compartments                 | 28. Plunge filter/strainer             |
| 7. Cleaning tube                                      | 30. 8 adjustable bottle supports       |
| 8. Adjustable feet                                    | 31. Drip pan support brackets          |
| 9. 8 taps   | 32. 2 condensate collection drip trays |
| 10. 3 measure selection keys per tap                  |  |

**PRODUCT DESCRIPTION**



- 4. 2 product identification labels with serial number
- 15. Nitrogen cylinder connection tube (3m)
- 16. Power lead (2m)
- 17. 2 rear stops
- 18. Outlet for cash desk connection
- 26. Pressure reducer
- 27. Nitrogen cylinder (not supplied)